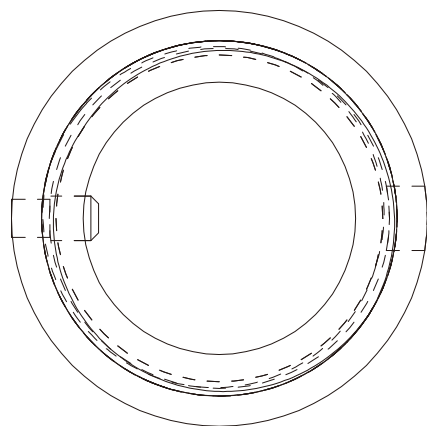


Mount Arm Adapter for L Style Cap



1 1/2" NPT Thread

