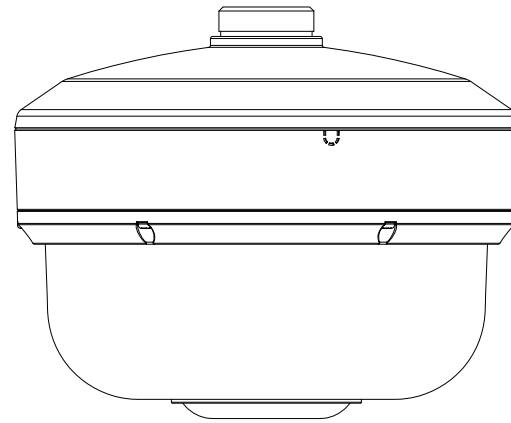
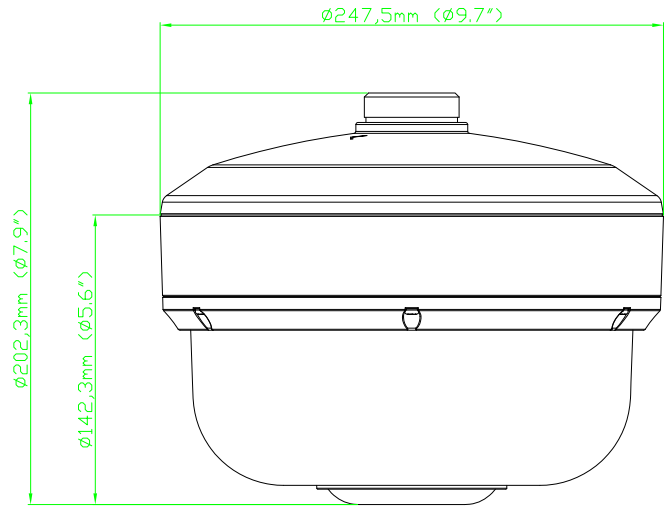
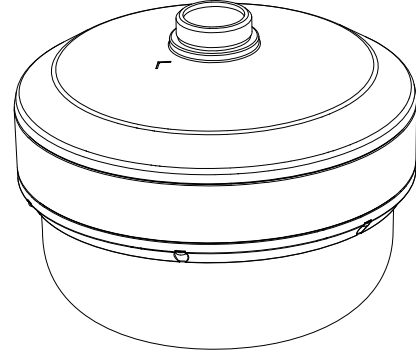
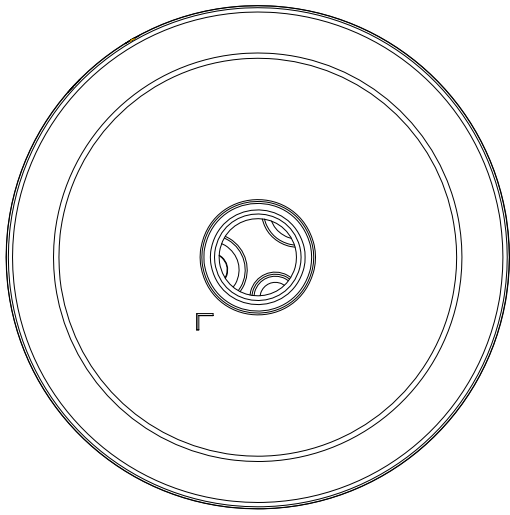

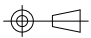


REVISIONS				
ECN	REV.	DESCRIPTION	DATE	APPROVED



		PART NO		
PROJ		SCALE 1:1	TITLE	
APP			MODEL	FILE NO
CHK				
DGN			UNIT	SIZE
DRW			MM	SHT 1 OF
				A0