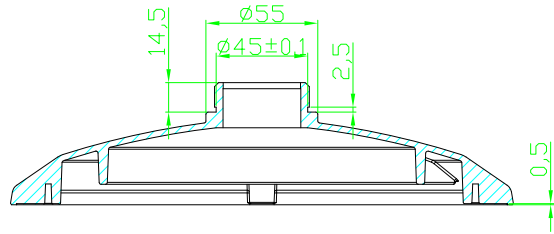
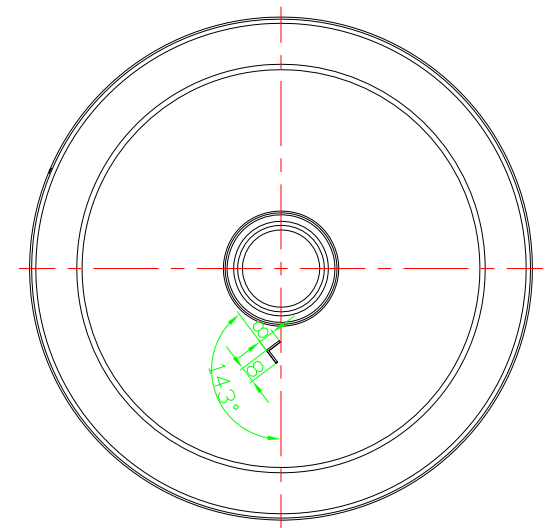
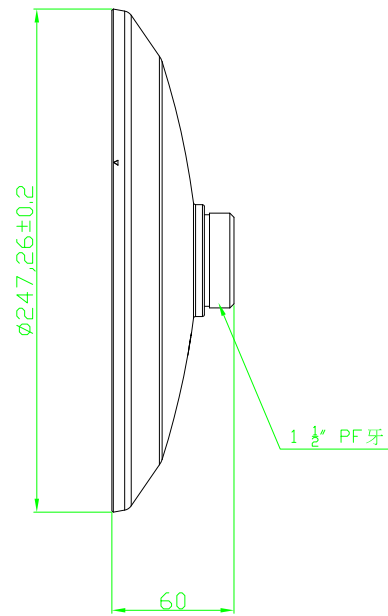
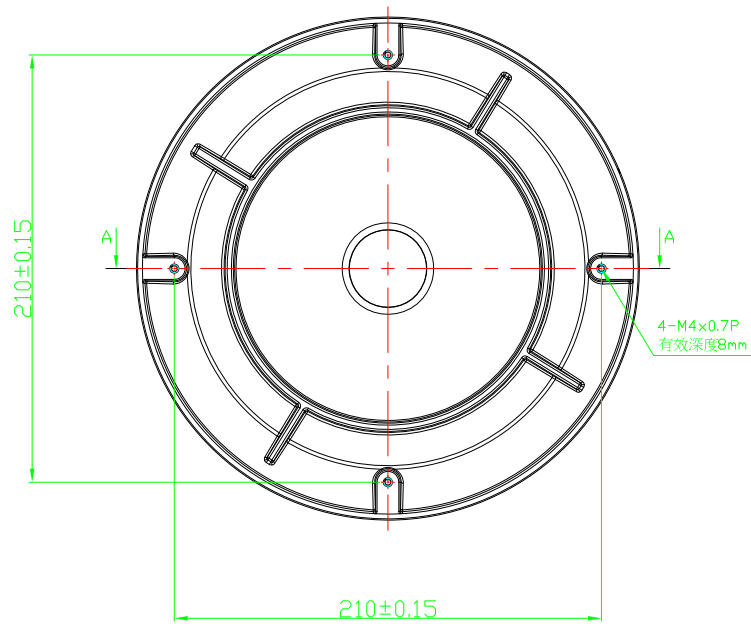
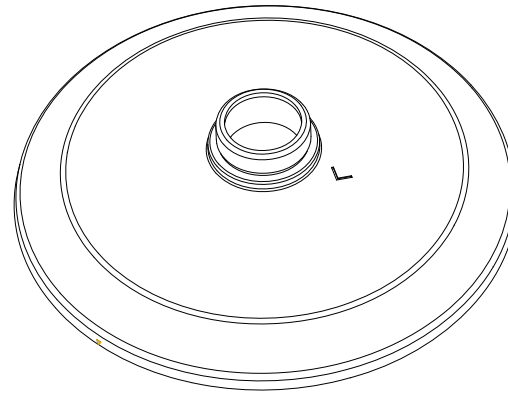


REVISIONS				
ECN	REV.	DESCRIPTION	DATE	APPROVED



A-A剖面



		PART NO	
PROJ		SCALE 1:1	TITLE CAP
APP		MODEL	FILE NO
CHK			
DGN		UNIT	SIZE A0
DRW	Benny	20200714	SHT 1 OF