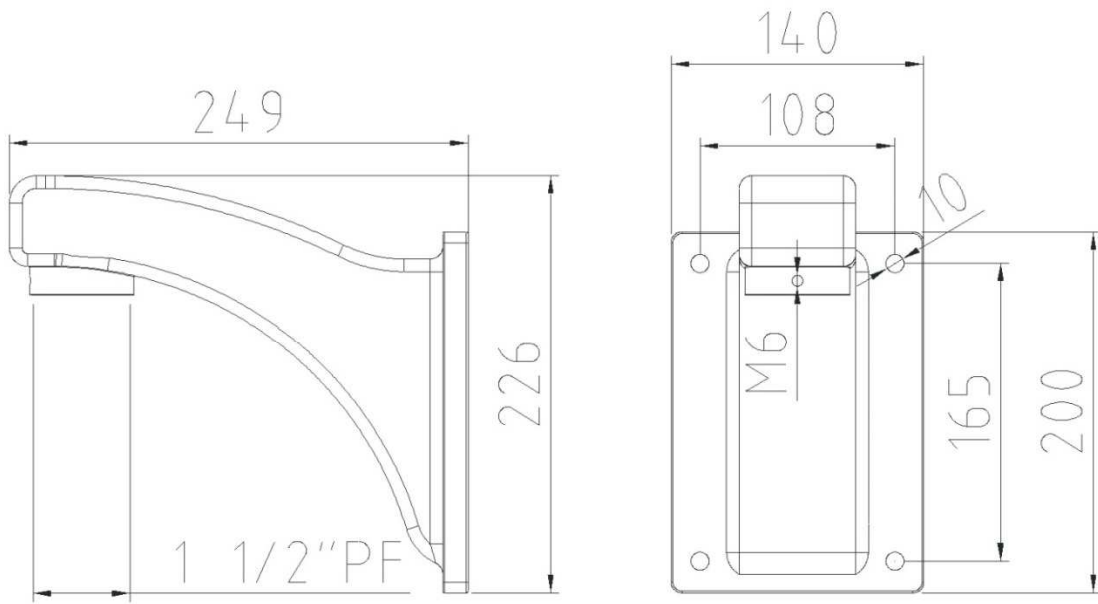





Product: Wall Mount Bracket with Screws accessory Model



	H type rubber seal (Material: Silicon)	Plug-in
		

Screw pack (per 1 set):



5/16" Anchors *4pcs

HEX BOLT *4pcs

M8 Flat Washer *4pcs

M8 Spring Washer *4pcs

Remark:

1. Material: Aluminum
2. H type rubber seal is optional.
3. Unit: mm
4. Full carton: 10pcs
5. Each box encloses 1 set screws