

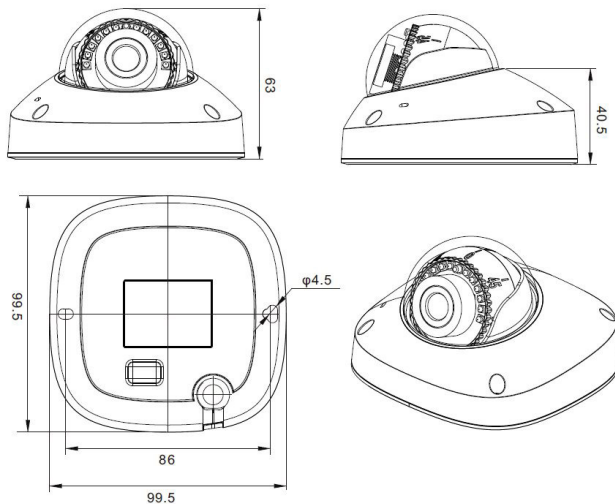


The N1504 is a 4 megapixel indoor IP camera with a 2.8mm fixed lens, wide dynamic range and built-in IR illumination. Paired with a compatible CheckVideo Gateway, this camera benefits from superb image quality during the day and night, cloud management and video analytics. It is ONVIF compatible and supports RTSP streaming for video.

FEATURES

- ✓ 1/2.8" progressive scan CMOS
- ✓ 2.8mm fixed lens
- ✓ Multiple Streams
- ✓ Smart IR Up to 49.2 ft
- ✓ WDR, 2D/3D DNR

DIMENSIONS



Dimensions of Dome (Unit:mm)

CAMERA	
Image Sensor	1/2.8" Progressive scan CMOS
Min. illumination	Color: 0.03 Lux @ (F1.6, AGC ON), B/W: 0 Lux @ (IR LED ON)
Day & Night	Auto(ICR)/Day/Night/Time
Shutter Speed	Auto/Manual, 1/5 ~ 1/20,000s
Iris	Fixed Iris
Wide Dynamic Range	True WDR
Noise Reduction	2D/3D DNR
Lens	2.8mm fixed lens
Angle of View	H: 93.4°, V: 69.1°
IR Range	Up to 49.2 ft
VIDEO	
Bit Rate (CBR/VBR)	Stream1: 200Kbps ~ 12Mbps Stream2: 100Kbps ~ 6Mbps Stream3: 100Kbps ~ 3Mbps
Max. Resolution	2592x1520
Codec	H.264 High Profile
NETWORK	
Network Protocols:	IPv4/IPv6, 802.1x, HTTP, HTTPS, TCP/IP, UDP/IP, RTSP, DHCP, NTP, RTCP/RTP, PPPoE, SMTP, DNS, UPnP, FTP, ARP, SNMP, TLS/SSL
Security	User security authentication, Reset, Hardware Watch Dog
System Compatibility	ONVIF
Ethernet	1 Ethernet (10/100 Base-T) RJ-45 Connector
GENERAL	
Power Supply	DC12V/POE (IEEE 802.3af)
Power Consumption	6W(MAX)
Operating Temperature	-40°C ~ 55°C (-40°F ~ 131°F)
Operating Humidity	Less than 90% RH
Approvals	CE /FCC
Product Dimensions	99.5x99.5x63.3mm (3.92"x3.92"x 2.49")
Product Weight	0.79 lbs.