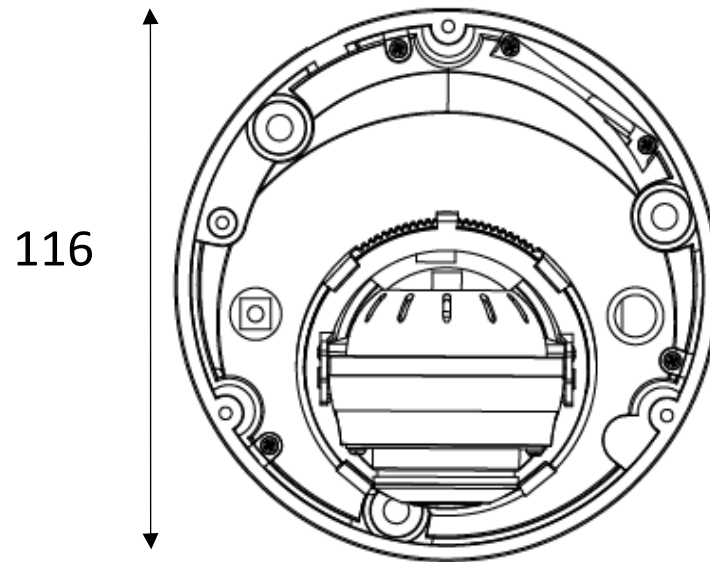
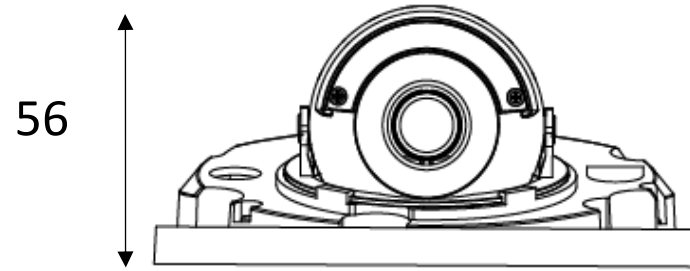


S1505/S1508



All dimensions in mm